

Indo-European dialogue on ICT standards & Emerging Technologies

(Growth, Profitability & Nation Building)

13-14th March 2014 • New Delhi, INDIA

IN THE FRAMEWORK OF

Project

SESEI

<http://eustandards.in/>



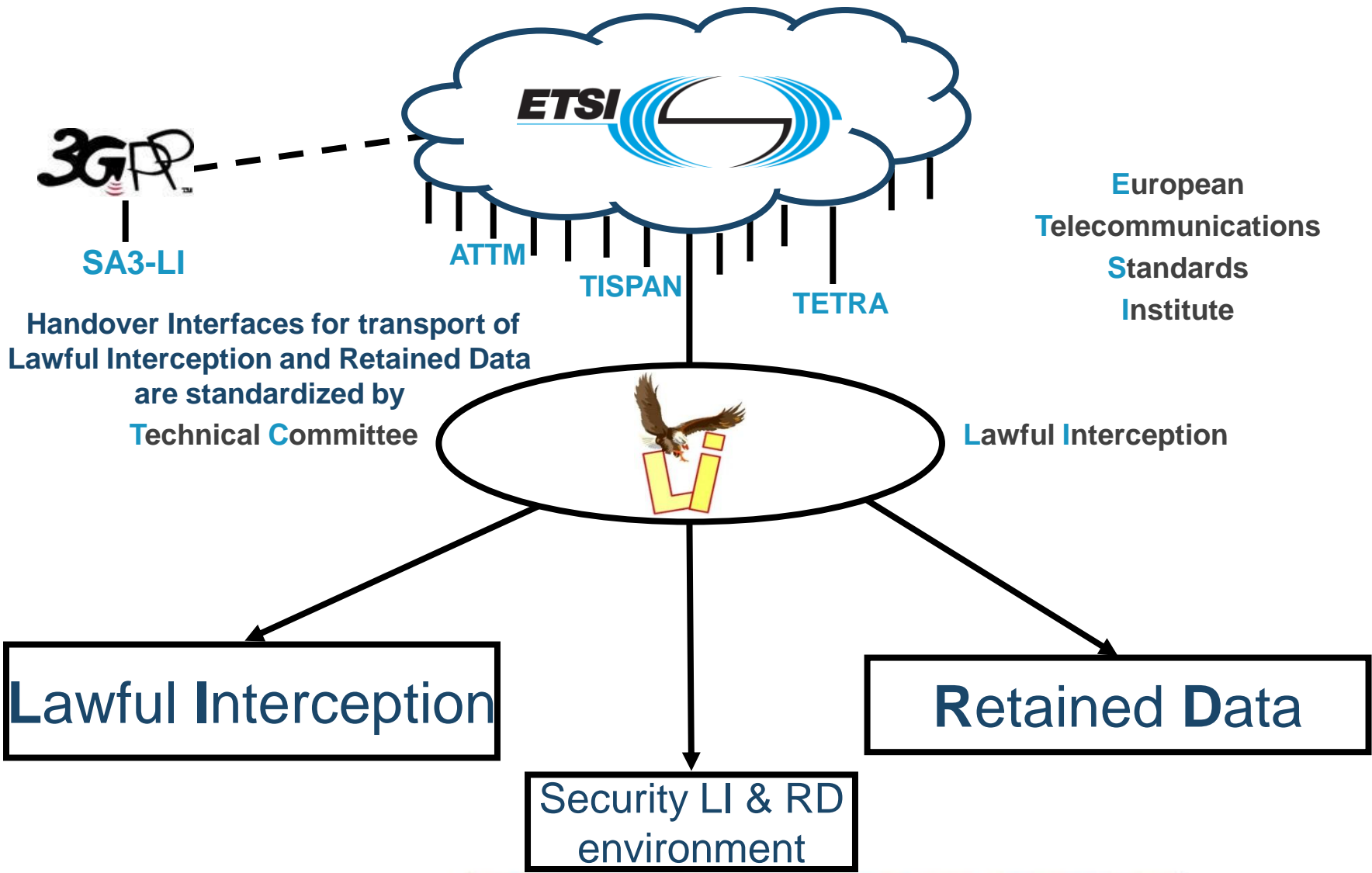
ETSI LI Standards Overview

What is LI/DR/DD

- ❖ Lawful Interception (LI) is the real-time capture of a Target's use of communications (including location) and real-time delivery of those communications to law enforcement.
- ❖ Data Retention (DR) is holding of customer information and service usage records for a period of time for the use by law enforcement.
- ❖ Data Disclosure (DD) is handover of Retained Data (RD) or other customer data held by the CSP for business purposes.



LI in ETSI



ETSI Lawful Interception Groups

- ❖ ETSI TC LI – Recognised global centre of excellence for Lawful Interception
 - ❖ Specialises in LI & RD handover standards
 - ❖ Global use of TC LI standards
 - ❖ Global participation
- ❖ 3GPP SA3-LI – GSM, GPRS, 3G, LTE Mobile
 - ❖ Architecture and handover



TC LI – Why Globally Successful

- ❖ Challenges and requirements globally aligned
 - ❖ Underlying LEA requirements similar
- ❖ Inclusivity
 - ❖ Global LEA, CSP & Manufacturer involvement
 - ❖ India C-DOT now welcomed as a member of ETSI TC LI
- ❖ Privacy & Proportionality
 - ❖ CSP Controlled model
 - ❖ Target based surveillance.
 - ❖ Industry standard evidential handover HI2, HI3.
- ❖ Ahead of the curve
- ❖ Reduced cost – CSPs and LEAs.



Deliverables of ETSI TC LI

❖ ETSI/Technical Committee Lawful Interception (TC LI)

❖ on Lawful Interception:

❖ *TR 101 943* *TR 102 503* *TR 102 053*

❖ *TS 101 331* *ES 201 158*

❖ *TS 101 671* *ES 201 671*

❖ *TR 102 528* *TR 102 519* *TR 103 690*

❖ *TS 102 232-1* *TS 102 232-2* *TS 102 232-3*

❖ *TS 102 232-4* *TS 102 232-5* *TS 102 232-6*

❖ *TS 102 232-7*

❖ on Data Retention: *TS 102 656* *TS 102 657*

❖ *TR 103 657*

❖ *Security Report on LI and DR:* *TR 102 661*



Why LI implementation in the EU

**17th January 1995: EU Council of Ministers
adopted resolution COM 96/C329/01 on Lawful Interception**

**The providers of public telecommunications networks and services are
legally required to make available to the authorities the information
necessary to enable them to investigate telecommunications**



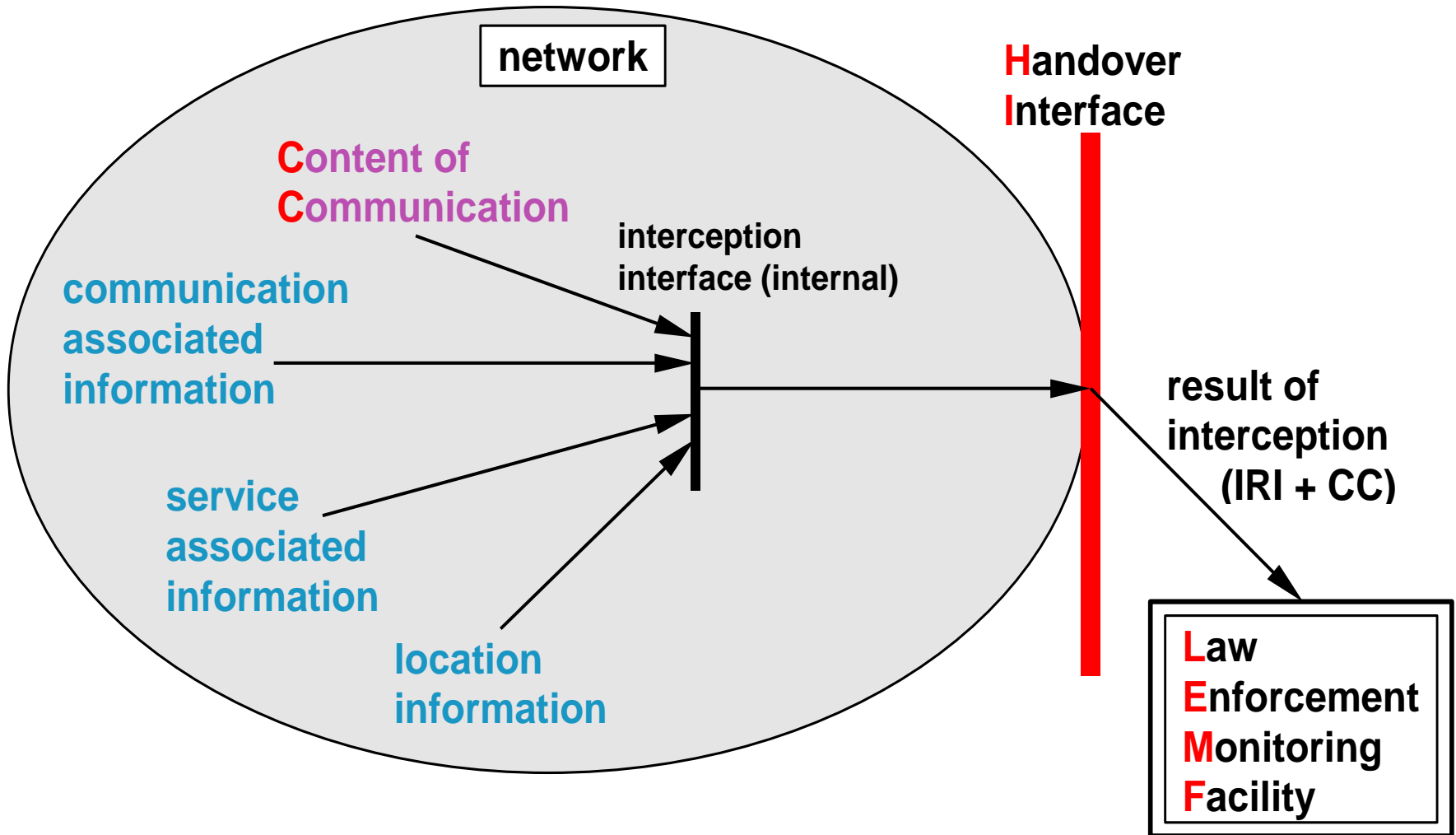
Types of LI data

- ❖ Intercept Related Information (**IRI**)
 - ❖ collection of information or data associated with telecommunication services involving the target identity:
 - ❖ **communication associated information** or data (including unsuccessful communication attempts)
 - ❖ **service associated information** or data (e.g. service profile management by subscriber)
 - ❖ **location information**

- ❖ Content of Communication (**CC**)
 - ❖ information exchanged between two or more users of a telecommunications service



General Network Arrangement

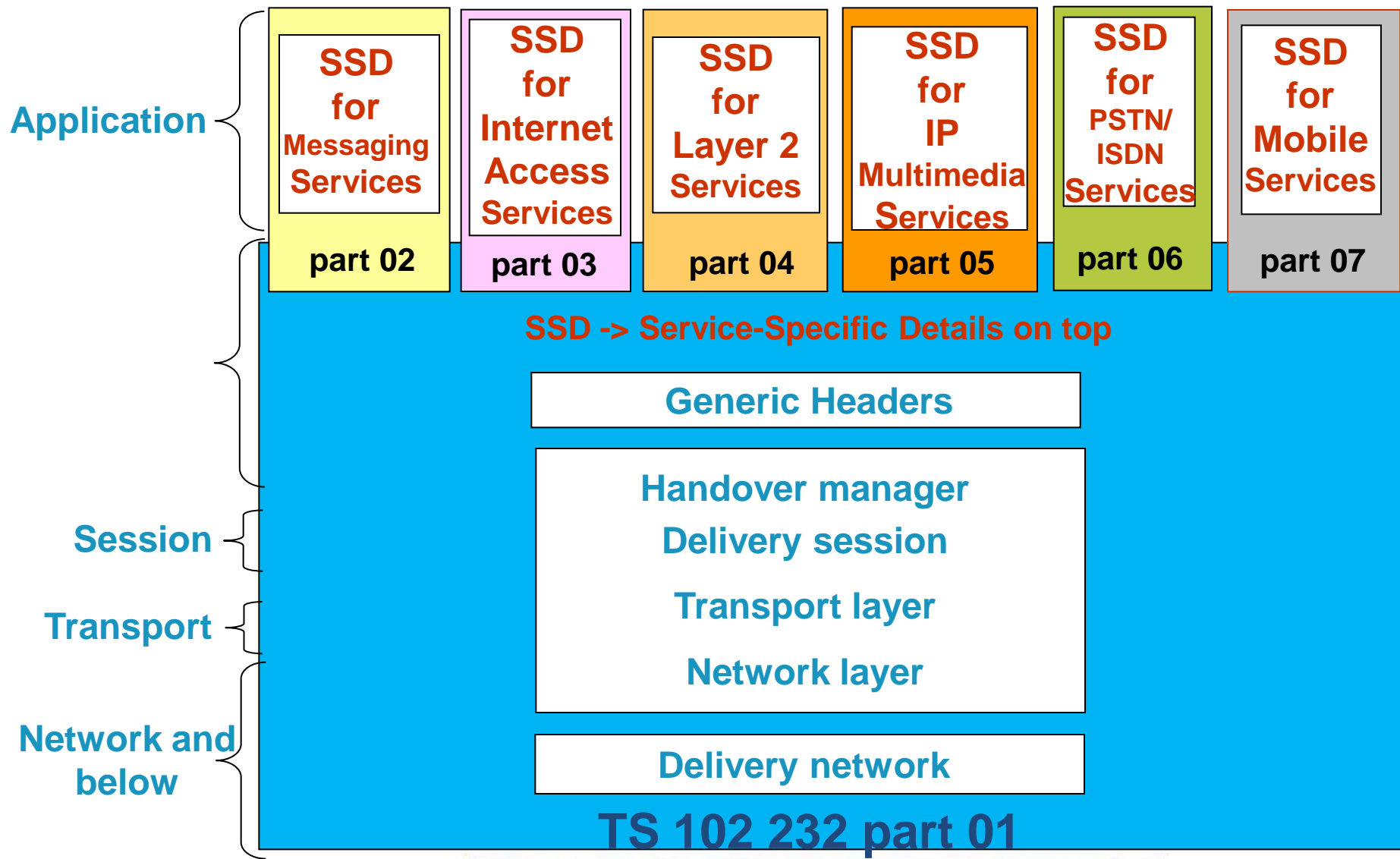


LI Handover Interface specification

- ❖ **ETSI TS 101 671** (= old ETSI ES 201 671)
Handover Interface for the Lawful Interception of Telecommunications Traffic
 - ❖ **generic flow of information and procedures and information elements, applicable to any future telecommunication network or service**
 - ❖ **circuit switched and packet data**
 - ❖ **covered technologies**
 - ❖ PSTN, ISDN, GSM, UMTS (CS), GPRS, TETRA
 - ❖ wire line NGN (including PSTN/ISDN emulation)
 - ❖ wire line IMS PSTN simulation
- ❖
 - ❖ **Used for legacy mainly non-IP technologies.**
 - ❖ **Not designed for handover of VoIP or other modern IP services.**



Handover of LI over IP services TS 102 232 family (7 parts)



102 232 is the Future

- ❖ Fully supports VoIP and IP services
- ❖ Extensible
- ❖ Support for and compatibility with LTE & IMS
- ❖ Full IPv6 support
- ❖ Security options
- ❖ Rapidly replacing legacy and 671 based solutions
 - ❖ Support IP encapsulation of Legacy services
 - ❖ Part 6
- ❖ 20 years of ETSI heritage.



3GPP SA3LI

- ❖ Sub-Working Group of SA3 Security Group
 - ❖ Broadly operates independently.
 - ❖ Group meets around 4 times a year
 - ❖ Usually Europe and USA
- ❖ Focused on 2G, GPRS, 3G, LTE & Common IMS
 - ❖ Develops complete stage 1,2,3 solutions.
 - ❖ Lawful Interception only.
- ❖ Current Topics
 - ❖ VoLTE, IMS WebRTC, Local breakout, H(e)NB / Femto cells, ProSe, IMS IMEI.
- ❖ Close co-operation with ETSI TC-LI and USA LI groups



LI specifications in 3GPP

- ❖ **ETSI TS 133 106** **(3GPP TS 33.106)**
Lawful interception requirements
 - ❖ provides basic interception requirements
 - ❖ partly based on ETSI TS 101 331

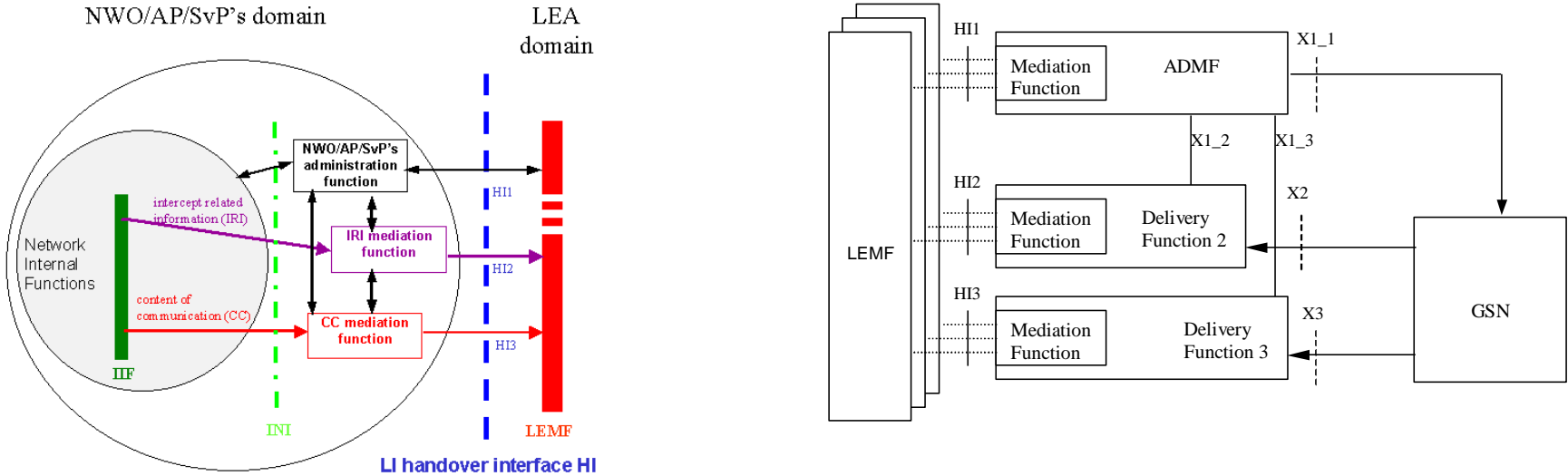
- ❖ **ETSI TS 133 107** **(3GPP TS 33.107)**
Lawful interception architecture and functions

- ❖ **ETSI TS 133 108** **(3GPP TS 33.108)**
Handover interface for Lawful Interception

- ❖ Aligned with TC LI



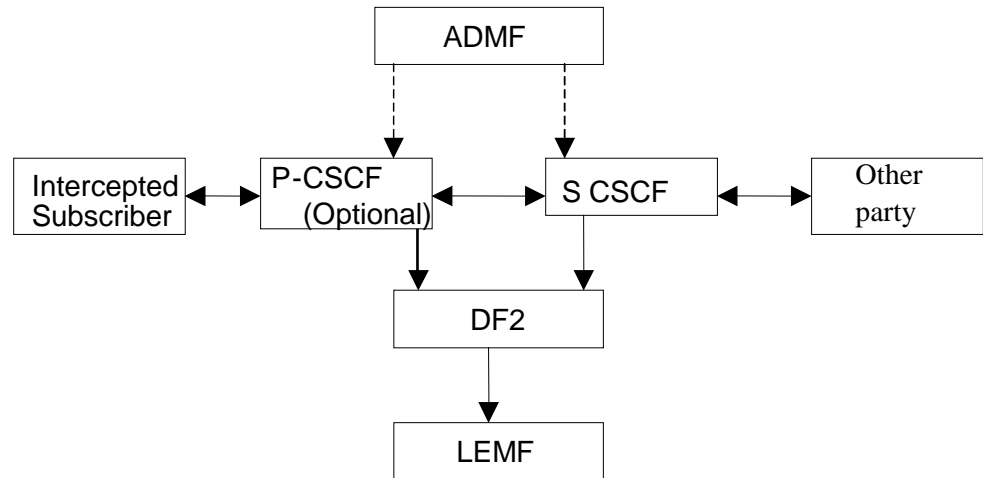
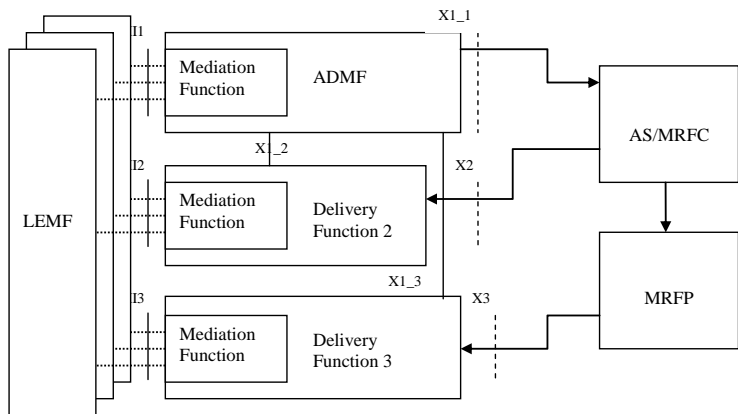
Example SA3LI Reference Architectures



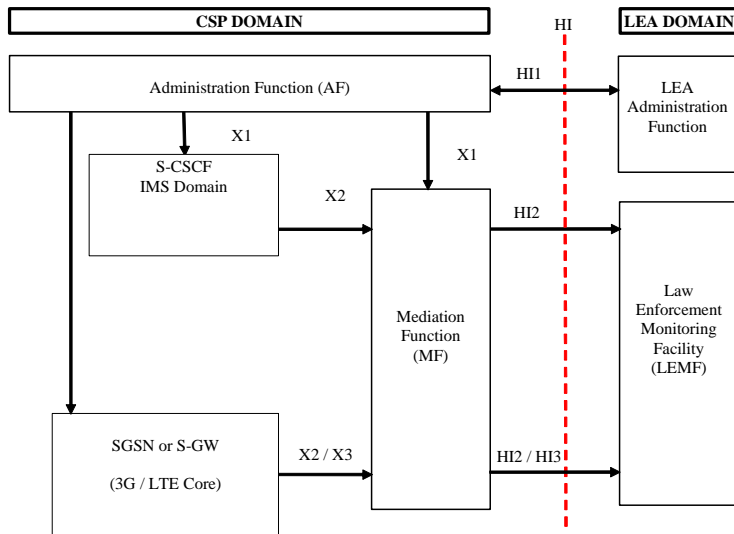
LI handover interface HI

IIF: internal interception function
INI: internal network interface

HI1: administrative information
HI2: intercept related information
HI3: content of communication



ETSI LI Security



- ❖ LI exists in separate security domain
- ❖ X interfaces isolate MF / AF from points of interception
 - ❖ X interfaces shall not be accessible from outside CSP environment.
- ❖ New X1 interface
 - ❖ Mandatory security
- ❖ Standardised HI interfaces isolate LEA from CSP.
- ❖ Non-Detectability for non- LI personnel.
- ❖ AF and MF CSP controlled
 - ❖ Audit
 - ❖ Security of LI
 - ❖ Privacy



Why DR implementation in the EU

15th of March 2006: the European Parliament
and the Council of the European Union adopted
Directive 2006/24/EC on Data Retention

Data generated or processed in connection with the provision of
publicly available electronic communications services
or of
public communications networks
need to be retained



DR specifications in TC LI

❖ *ETSI TS 102 656*

Requirements of LEAs for handling Retained Data

- ❖ guidance and requirements for the delivery and associated issues of retained data of telecommunications and subscribers
- ❖ set of requirements relating to handover interfaces for retained traffic and subscriber data
- ❖ requirements to support the implementation of Directive 2006/24/EC
- ❖ freedom for national regulations, procedures and processes

❖ *ETSI TS 102 657*

Handover interface for the request and delivery of Retained Data

- ❖ handover requirements and handover specification for the data that is identified in EU Directive 2006/24/EC on Retained Data and in national legislations as defined in TS 102 656
- ❖ considers both the requesting of retained data and the delivery of the results
- ❖ defines an electronic interface (for the Request and for the Delivery)



Modular approach for DR spec.

Framework for Retained Data Handover Interface

Telephony
services

Network
Access
services

Asynchronous
message
services

Synchronous
Multi-media
services

e.g.

PSTN/ISDN
GSM/UMTS-cs
SMS/MMS

Internet
GPRS
UMTS-ps

E-mail
webmail

chat



Next on DR

- ❖ ETSI/TC LI will maintain the DR standards
 - ❖ Add new internet services as technology progress
 - ❖ Add new parameters in line with national requirements
- ❖ ETSI/TC LI can organise an interoperability test, if required
 - ❖ ETSI Plugtests for checking the specifications
- ❖ ETSI/TC LI is encouraging widespread use of the DR standards!
 - ❖ The use of the Handover standard is already promoted in international conferences and workshops
- ❖ ETSI/TC LI kept a close working relation with the EC/Experts Group “The Platform on Electronic Data Retention for the Investigation, Detection and Prosecution of Serious Crime”
- ❖ ETSI/TC LI keeps checking related activities in other groups to liaise, collaborate, avoid duplicate efforts...



Current & Future LI Challenges

- ❖ Encryption
- ❖ Service and User Mobility
- ❖ Correlation
- ❖ Volumes
- ❖ Privacy by Design
- ❖ Dynamic LI
- ❖ Cloud Computing
- ❖ Network Virtualisation
- ❖ Transnational Networks



TC LI latest and future technical work

- ❖ Maintenance of LI and DR suites

- ❖ Ongoing new work
 - ❖ Dynamic Triggering of LI function
 - ❖ LI/DR for Cloud Computing
 - ❖ handover interface for Warrant information
 - ❖ X1 internal network interface
 - ❖ Security for LI and DR systems
 - ❖ Network Function Virtualization



Keep in touch

🌐 Many thanks

🌐 Contacts

- 🌐 alex.leadbeater@bt.com 3GPP SA3-LI Chairman
- 🌐 gerald.mcquaid@vodafone.com TC LI Chairman
- 🌐 carmine.rizzo@etsi.org TC LI Technical Officer

🌐 Questions ?

